

Intermediate flanges



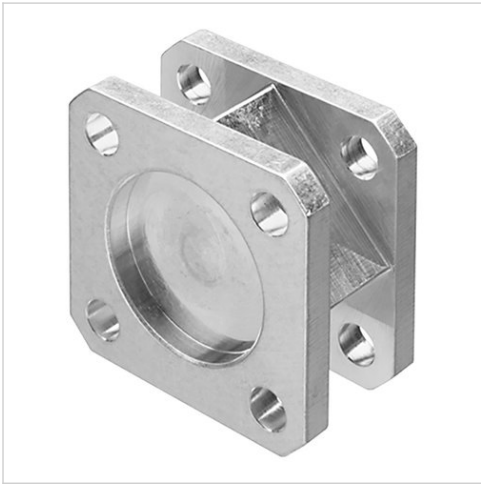
AVENTICS™ Intermediate flanges



Intermediate flange JP1, Series CM1

- for multi-position cylinders

- Suitable piston Ø 32 40 50 63 80 100 125 mm



Technical data

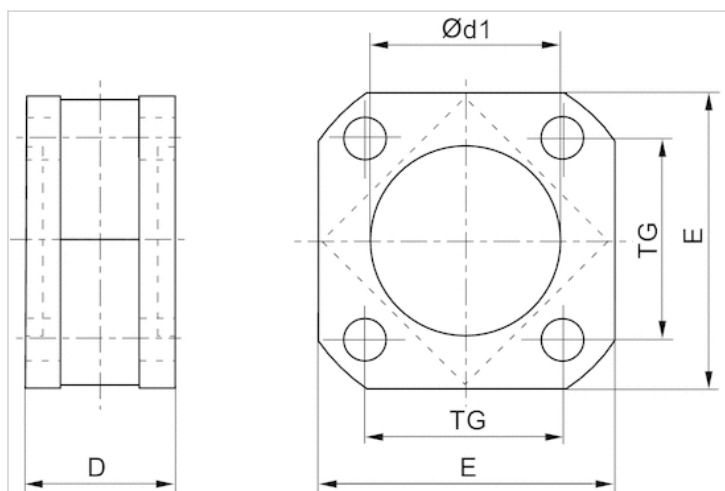
Part No.	Piston Ø
1827020247	32 mm
1827020248	40 mm
1827020249	50 mm
1827020250	63 mm
1827020251	80 mm
1827020252	100 mm
1827020253	125 mm

Scope of delivery incl. mounting screws

Technical information

Material	
Material	Aluminum

Dimensions



Dimensions

Part No.	Piston Ø	D	Ø d1 N7	E	TG
1827020247	32 mm	27	30	47	32.5
1827020248	40 mm	27	35	53	38
1827020249	50 mm	32	40	65	46.5
1827020250	63 mm	28	45	75	56.5
1827020251	80 mm	38	45	95	72
1827020252	100 mm	38	55	115	89
1827020253	125 mm	44	60	140	110

Intermediate flange JP2, Series CM1

- for multi-position cylinders
- Suitable piston Ø 16 20 25 32 40 50 63 80 100 mm
- for series CCI, KPZ KPZ CCI



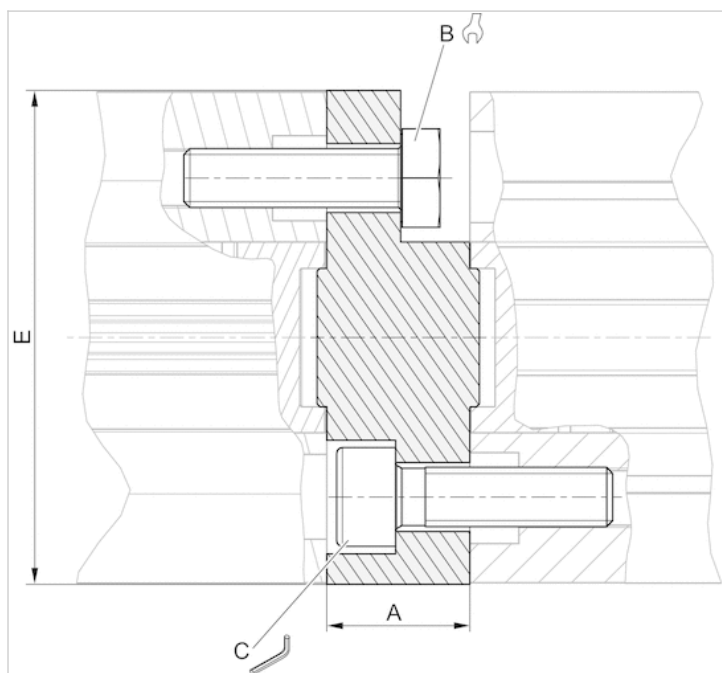
Technical data

Part No.	Piston Ø
1827020290	16 mm
1827020267	20 mm
1827020268	25 mm
1827020269	32 mm
1827020270	40 mm
1827020271	50 mm
1827020272	63 mm
1827020273	80 mm
R412024535	80 mm
R412024536	100 mm
1827020274	100 mm

Technical information

Material	
Material	Aluminum

Dimensions



Dimensions

Part No.	For series	A	B	C	Md [Nm] 1)	E
1827020290	CCI, KPZ	12.5	7	–	2.5	28.4
1827020267	CCI, KPZ	12.5	8	–	4	35
1827020268	CCI, KPZ	13	8	4	4	40
1827020269	CCI, KPZ	14.5	10	5	4	50
1827020270	CCI, KPZ	14.5	10	5	4	57.1
1827020271	CCI, KPZ	14.5	13	6	8	67.4
1827020272	CCI, KPZ	14.5	13	6	8	80
1827020273	KPZ	16.5	16	–	16	98.4
R412024535	CCI	16.5	16	8	16	95
R412024536	CCI	19.5	16	8	16	115
1827020274	KPZ	19.5	16	–	16	120

1) torque

Efficient pneumatic solutions, our program: cylinders and drives, valves and valve systems, air supply management



Visit us: [Emerson.com/Aventics](https://www.emerson.com/Aventics)

Your local contact: [Emerson.com/contactus](https://www.emerson.com/contactus)



Emerson.com



[Facebook.com/EmersonAutomationSolutions](https://www.facebook.com/EmersonAutomationSolutions)



[LinkedIn.com/company/Emerson-Automation-Solutions](https://www.linkedin.com/company/Emerson-Automation-Solutions)



[Twitter.com/EMR_Automation](https://twitter.com/EMR_Automation)

An example configuration is depicted on the title page. The delivered product may thus vary from that in the illustration. Subject to change. This Document, as well as the data, specifications and other information set forth in it, are the exclusive property of AVENTICS GmbH. It may not be reproduced or given to third parties without its consent. Only use the AVENTICS products shown in industrial applications. Read the product documentation completely and carefully before using the product. Observe the applicable regulations and laws of the respective country. When integrating the product into applications, note the system manufacturer's specifications for safe use of the product. The data specified only serve to describe the product. No statements concerning a certain condition or suitability for a certain application can be derived from our information. The information given does not release the user from the obligation of own judgment and verification. It must be remembered that the products are subject to a natural process of wear and aging.

The Emerson logo is a trademark and service mark of Emerson Electric Co. Brand logotype are registered trademarks of one of the Emerson family of companies. All other marks are the property of their respective owners. © 2017 Emerson Electric Co. All rights reserved.
2019-03



CONSIDER IT SOLVED™